

hS hayat secret[®]

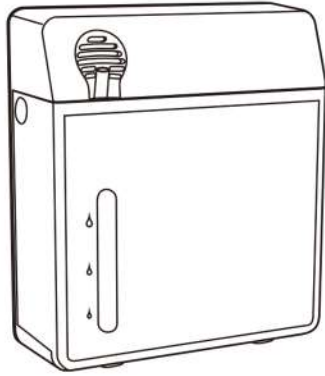
mind, body, soul & beyond

product manual - (Eco)



product manual

(Eco)

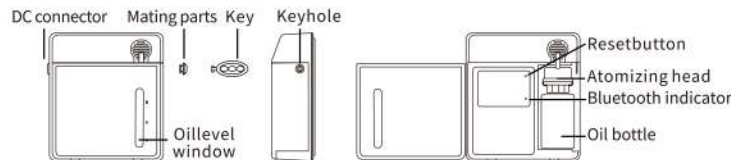
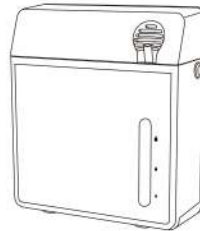


- BT
- LCD



01 Specification

- [Size] 200*76*227mm
- [N.W.] 1.1kg
- [Input] DC12V = 1A MAX
- [Power] 6.6W
- [Coverage] 100m²/300m³/11000ft³
- [Bottle] 200ml
- [Material] plastic



02 Bluetooth instruction

Where to get the app:

Please Search "Hayat Secret" in Google Play or App Store.

Note:

1. Please make sure that the Bluetooth function is turned on;
2. Please make sure that the location function of the mobile phone is turned on.



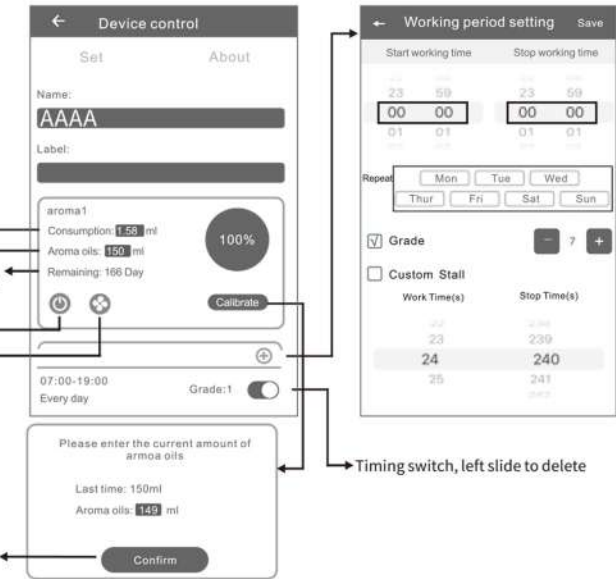
Consumption: This value is calculated based on one hour of continuous machine work with 13 mPa.s aroma oil of our company. But aroma oils with different viscosities have varied consumption rates, you can calibrate it via app.

Aroma oil: The amount of aroma oil added to bottle.

Remaining: This refers to how long the aroma oil can be used based on consumption, aroma oil, grade, and working periods.

Turn ON/OFF the device
Turn ON/OFF the fan

Calibrate: It is used for calibrating consumption. It is advised to calibrate after working for at least 10 days. Please measure the remaining oil of bottle first, then tap "calibrate" in the APP, input the amount of remaining oil, and confirm. So the consumption, remaining day, and percentage will be updated.



Timing switch, left slide to delete

Hayat Secret App



product manual

Amend password

Device control Save

Set About

PCB Version: AAAA

Equipment version: AAAA

APP version: AAAA

Change password

Working period setting Save

Start working time	Stop working time
22:58	22:58
23:59	23:59
00:00	00:00
01:01	01:01
02:02	02:02

Repeat: Mon Tue Wed
Thur Fri Sat Sun

Concentration grade - 7 +

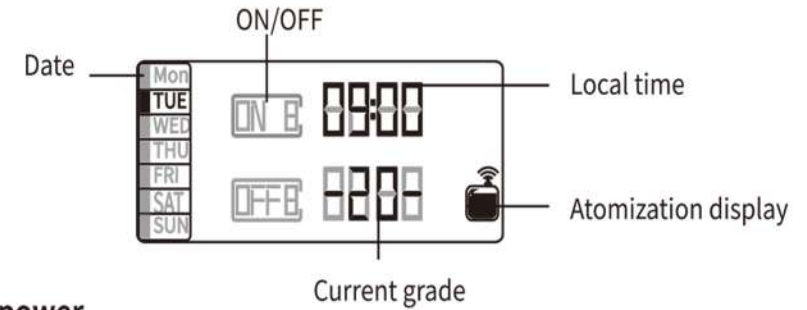
Custom Stall

Work Time(s)	Stop Time(s)
22	238
23	239
24	240
25	241
	242

Annotations: Slide up and down to adjust; Select the day; Select grade

If you forget the password, please press the reset button to restore the factory setting. The factory settings password is 8888.

03 LCD time setting



Turn on the power

Connect the power and turn on the switch with a sound “Beep” coming out, then the screen shows the initial time and the current grade.

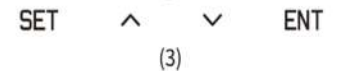
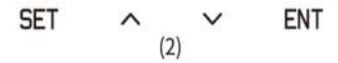
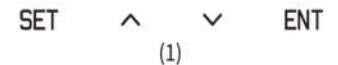


Turn off the power

The screen will be off when turn off the switch and disconnect the power.

Local time setting

1. Tap SET button and hold for 5 seconds until you hear a sound “beep” then the date value start flashing.
2. Tap ▲ or ▼ to adjust the date, then confirm and adjust time value by taping ENT button.
3. Tap ▲ or ▼ to adjust the time.
4. Tap SET button to save the setting. (Shown as picture 1)



Concentration grade setting

There are 20 grades to choose. Tap ▲ button, the grade will increase. Tap ▼, the grade will decrease. (Shown as picture 2)

product manual

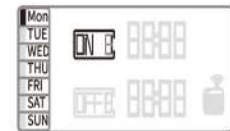
Working periods setting

1. There are total 5 working periods (shown as picture 3). Tap SET to set the first working periods (ON1&OFF1).
2. Tap ▲ or ▼ to set the start time, tap ENT to confirm and then set the stop time. After setting the first working periods (ON1&OFF1), we can set the working date.
3. Tap ENT to turn to MON and tap ▲ to enter the working time period for MON. (ON 1 is displayed on the screen, shown as picture 4), tap ▼ to confirm and exit the current setting. OFF1 is displayed on the screen, shown as picture 5).
4. After finish setting the NO1 working period, tap SET to confirm and exit. Tap ENT to turn to next day's setting. The setting step for NO2, NO3, NO4, No5 is same as No1. After setting all working time periods, tap SET to confirm and exit the setting.

PS: Grade display with "-CU-" is for customized grade, only can be operated by APP. (picture 6)
Machine doesn't work when the start time is same as stop time.

Date	00:00 - 00:00	00:00 - 00:00	00:00 - 00:00	00:00 - 00:00	00:00 - 00:00
Mon	ON/OFF	ON/OFF	ON/OFF	ON/OFF	ON/OFF
Tues	ON/OFF	ON/OFF	ON/OFF	ON/OFF	ON/OFF
Wed	ON/OFF	ON/OFF	ON/OFF	ON/OFF	ON/OFF
Thur	ON/OFF	ON/OFF	ON/OFF	ON/OFF	ON/OFF
Fri	ON/OFF	ON/OFF	ON/OFF	ON/OFF	ON/OFF
Sat	ON/OFF	ON/OFF	ON/OFF	ON/OFF	ON/OFF
Sun	ON/OFF	ON/OFF	ON/OFF	ON/OFF	ON/OFF

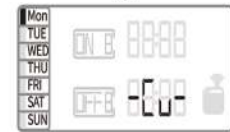
(PS: The first working period is default, the start time is 07:00, and the stop time is 19:00, others are all 00:00)



SET ▲ ▼ ENT
(4)

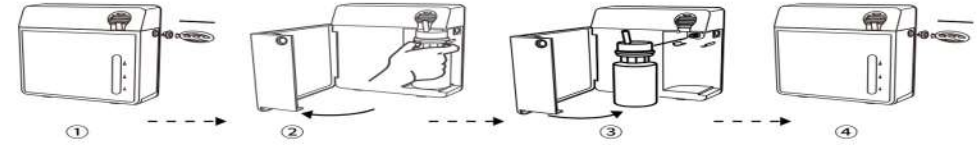


SET ▲ ▼ ENT
(5)

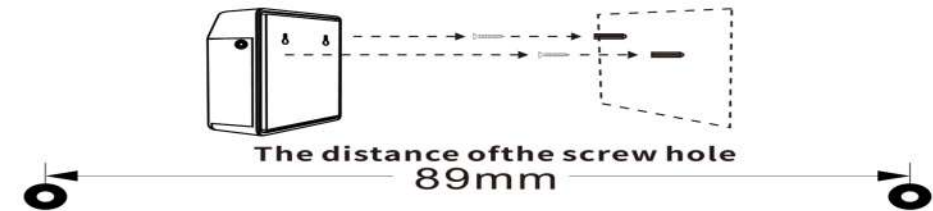


SET ▲ ▼ ENT
(6)

04 Installation



1. Insert the key, twirl to "unlock" and then pull the key and the lock out.
2. Open the cover and pull out the bottle along with the atomized head (note: pls take the bottleneck for easily pulling out)
3. After changing the bottle or fragrance, insert them (bottle and the atomized head) directly to the machine.
4. Close the cover, insert the key to the mating parts, then insert them to the keyhole, twirl to "lock" for locking.



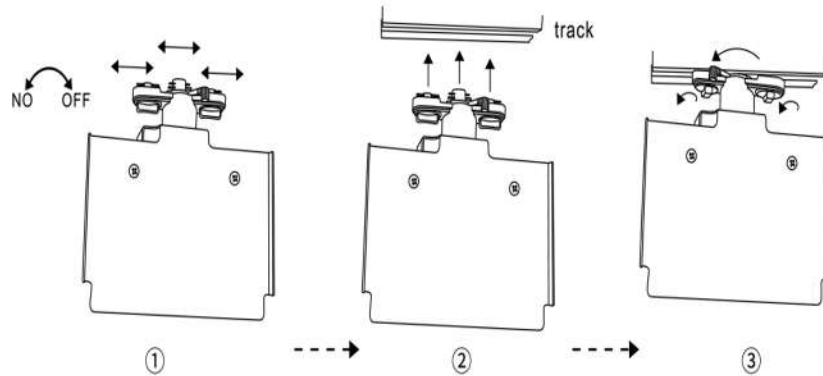
05 Concentration and consumption

Grades	Worktime(s)	Stoptime(s)	Consumption(g/h)
G1	15s	300s	0.03
G2	15s	150s	0.08
G3	20s	120s	0.13
G4	20s	85s	0.18
G5	25s	80s	0.23
G6	30s	75s	0.33
G7	30s	60s	0.28
G8	30s	50s	0.38
G9	30s	40s	0.43
G10	30s	33s	0.50
G11	33s	30s	0.55
G12	40s	30s	0.60
G13	50s	30s	0.65
G14	60s	30s	0.70
G15	75s	30s	0.75
G16	80s	25s	0.80
G17	85s	20s	0.85
G18	120s	20s	0.90
G19	150s	15s	0.95
G20	300s	15s	1.00
Customized	3-300s	5-500s	—

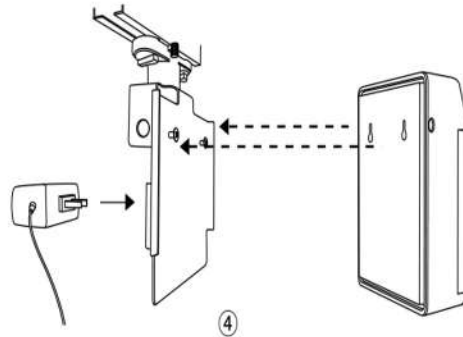
Note: The data shown above is only for reference, and it is normal for consumption to fluctuate by 15%.

product manual

06 Track connector (purchase on selection)



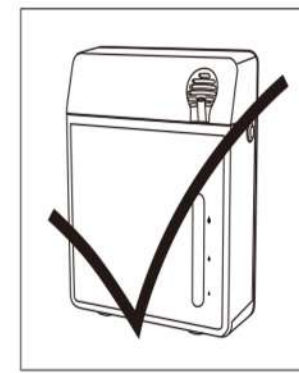
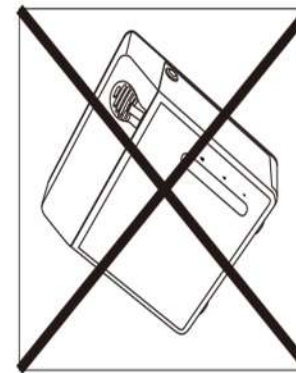
1. There are 3 Swivel Couplers on the top of the connector. Please switch the left and the right ones to "off" and switch the middle one to the right;
2. Align and insert;
3. Switch the left and right swivel couplers to "ON", switch the middle one to the left;



4. Hang the machine accordingly, plug in.

07 Caution

1. After installation, please keep the machine vertical. Tilt or lie flatly may cause oil overflow. The machine efficiency may be affected if the circuit board is contaminated;
2. Shall not modify, disassemble or repair the machine arbitrarily. Any failure happens, please contact relevant technician in time;
3. When the machine is out of the working period, the display is still on but the machine stops working;
4. It is invalid to touch/tap button when machine is under lock status. No light or display on the screen;
5. If the screen displays messy, programs crash, please reset the machine by touch "ENT" button about 5 seconds till a short "beep" noise comes out.



product manual

09 Troubleshooting

Before asking to have the machine repaired, please try to diagnose the problem first following to bellow instructions.

Symptom	Remedy
Does not diffuse	-Check whether the mode you choose is correct or not. -Check if the machine is during "Non-Working period" -Air pump may be damaged, change a new one. -Check whether the tube is loose or not
Low diffusion	-The atomizing core is blocked, clean by alcohol or change a new component. -Check whether the gasket is damage/loose or not. -Check whether the tube is loose or not
Oil spill	-Check whether the bottle is loose or not -The gasket in the atomized head is damaged or loose.
Oil sprinkle	-The atomized head is damaged, change a new one -The machine is tilled or lie down,keep the machine vertical.
Abnormal noise	-The air pump is loose, retighten the pump -The air pump is damaged, change a new one.

08 Equipment cleaning

The machine needs to be cleaned when below situations happen:

1. You're about to change to another kind of essential oil.
2. The atomization volume becomes weak .
3. We recommend cleaning machine by diffusing isopropyl alcohol once a month.

Cleaning steps:

1. Remove fragrance bottle and atomizing head
2. Fill 1/8 of the fragrance bottle with industrial alcohol (isopropyl alcohol)
3. Re-attach atomizing head to fragrance bottle and diffuse for 2-3 minutes.
4. Air out the fragrance bottle and the atomizing head.



hs hayat secret[®]
mind, body, soul & beyond

Thank You For Reading

Unravelling the secrets of nature to nurture the mind, body and soul



info@hayatsecret.com